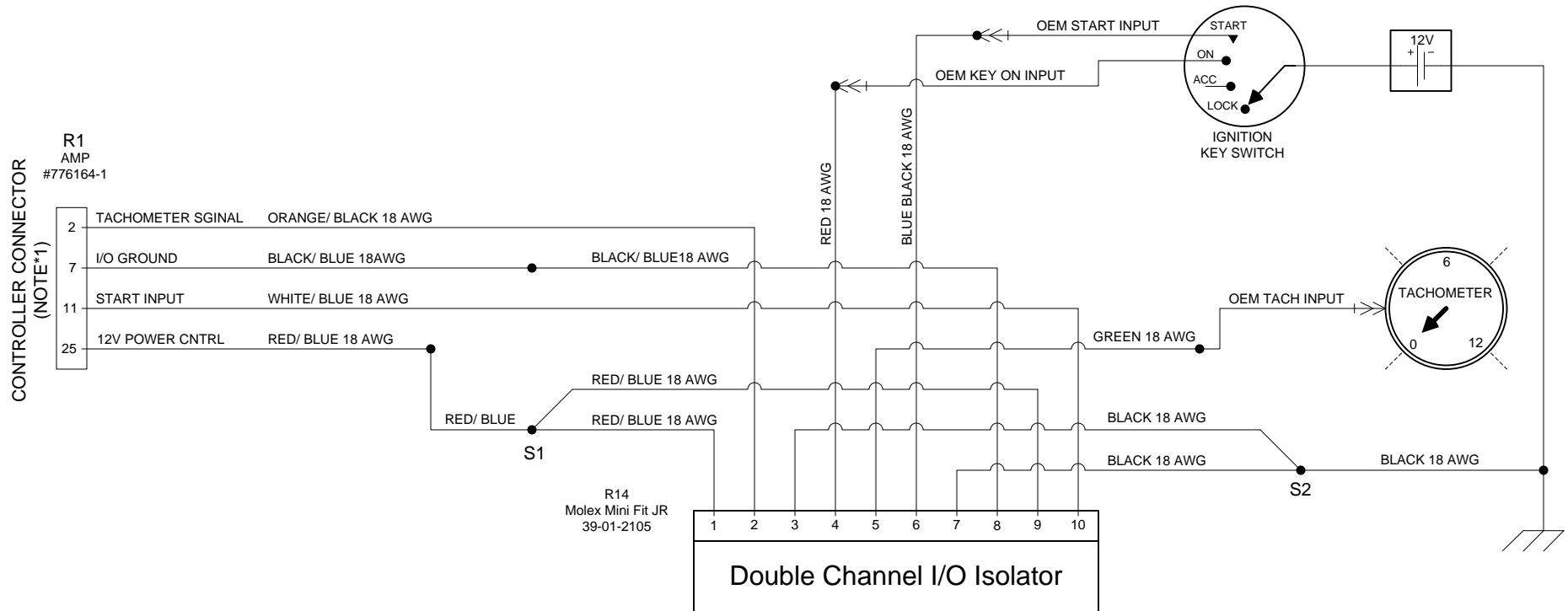


NOTICE: This drawing is the property of Hi Performance Electric Vehicle Systems Inc., and/or its subsidiaries and affiliates (individually and collectively "HPEVS"), and contains highly proprietary, confidential, and trade secret information of HPEVS. The recipient of this drawing agrees (a) to use the information contained herein for the purpose for which it was furnished by HPEVS (b) to return this drawing upon HPEVS request. This notice shall appear on any complete or partial reproduction of this drawing.



NOTE:
 (*1) OTHER ELECTRICAL CONNECTIONS AND SYSTEM COMPONENTS ARE NOT DISPLAYED IN THIS PAGE.

I/O ISOLATOR PIN FUNCTION

- 1 – CHANNEL 1 CONTROLLER 12V
- 2 – CHANNEL 1 TACHOMETER OUTPUT
- 3 – CHANNEL 1 GROUND
- 4 – CHANNEL 1 VEHICLE 12V
- 5 – CHANNEL 1 OUTPUT TO TACHOMETER
- 6 – CHANNEL 2 IGNITION KEY INPUT
- 7 – CHANNEL 2 GROUND
- 8 – CHANNEL 2 CONTROLLER I/O GROUND
- 9 – CHANNEL 2 CONTROLLER 12V
- 10 – CHANNEL 2 CONTROLLER START INPUT

CAD TYPE VISIO	CAD LOC.	CAD FILE	DRW SIZE B
OPER. NO.	UNIT	DRAWING 1010-2CH-ISOLATOR-001	
DESIGN	DETAIL	TITLE	
CHECKED	SAFETY	DUAL CHANNEL OPTO-ISOLATOR SYSTEM SCHEMATICS	
SCALE NONE	DATE 4/19/12	REVISION B	HPEVS
		SHEET 1 OF 1	